

INSTRUCTIONS AND REPAIR PARTS LIST

410B 10 HOLE NEST or 410BRO 10 HOLE ROLL OUT NEST

READ ALL DIRECTIONS CAREFULLY BEFORE BEGINNING INSTALLATION

TOOLS REQUIRED: Straight Edge Screwdriver, Adjustable Wrench

REPAIR PARTS LIST - See Exhibit A on reverse side for location of parts

Ref. No.	Part No.	Description	Quantity
1	410711	Right Partition	1
2	410713	Left Partition	5
3	410725	Front Top Panel	1
		NOTE: You have 3A, 3B and 4B if you purchased a Roll Out Nest	
3A	410725RO1	Front Upper & Lower Roll Out Panel	2
3B	410725RO2	Front Upper Angle, (has 6 Notches)	1
4	410726	Front Bottom Panel	1
4B	410726RO2	Front Lower Angle, (has 2 End Notches)	1
5	410727	Back Top Panel	1
6	410728	Back Bottom Panel	1
7	410729	Roof Panel	1
8	410730	Nest Bottom	10
9	410731	Perch Board	3
10	410734	Short Perch Assembly	2
11	410735	Long Perch Assembly	2
12	410719*	Hanger Bracket	2
13	OF181*	1/4-20 x 1 1/2 Slotted Machine Screw	12
14	OF335*	1/4-20 Whiz Nut	12
15	OF214*	10-24 x 1/2 Slotted Round Head Machine Screw	70
16	OF53*	10-24 Machine Screw Nut	70
8	410BROB	Plastic Rollout Nest Tray (If roll out nest)	10
	89-70761	Decal, Brower	1
	410732*	Hardware Bag, includes items marked with *	1
	ISB410B	Instruction Sheet	1

MODEL NUMBER

The MODEL NUMBERS are: 410B 10 Hole Nest or 410BRO Roll Out Nest

WHEN ORDERING PARTS

(1) Show MODEL NUMBER and NAME: Example - 410B Nest

(2) Show PART NUMBER and FULL DESCRIPTION of part: Example - 410734 Short Perch Assembly

HOW TO ORDER PARTS

Repair parts may be ordered from your dealer.

**INSTALLATION INSTRUCTIONS
FOR BOTH 410B AND 410BRO NESTS
DO NOT TIGHTEN ANY FASTENERS UNTIL
INSTRUCTED TO DO SO!**

STEP 1: Lay top (Ref. No. 7) upside down. Attach all partitions using 10-24 x 1/2 machine screws and 10-24 nuts (Ref. Nos. 15 and 16). Tighten. Turn nest over.

STEP 2: Attach front & back panels using 10-24 x 1/2 machine screws and 10-24 nuts (Ref. Nos. 15 and 16). Hand tighten only. The panels are:

Front Top (Ref. No. 3) — has notches and slots

Front Bottom (Ref. No. 4) — has slots

Back Top (Ref. No. 5) — has notches

Back Bottom (Ref. No. 6) — has neither notches nor slots

Use Ref. No. 3A, 3B (Notched) and 4B

Front Panels if assembling as a Rollout Nest.

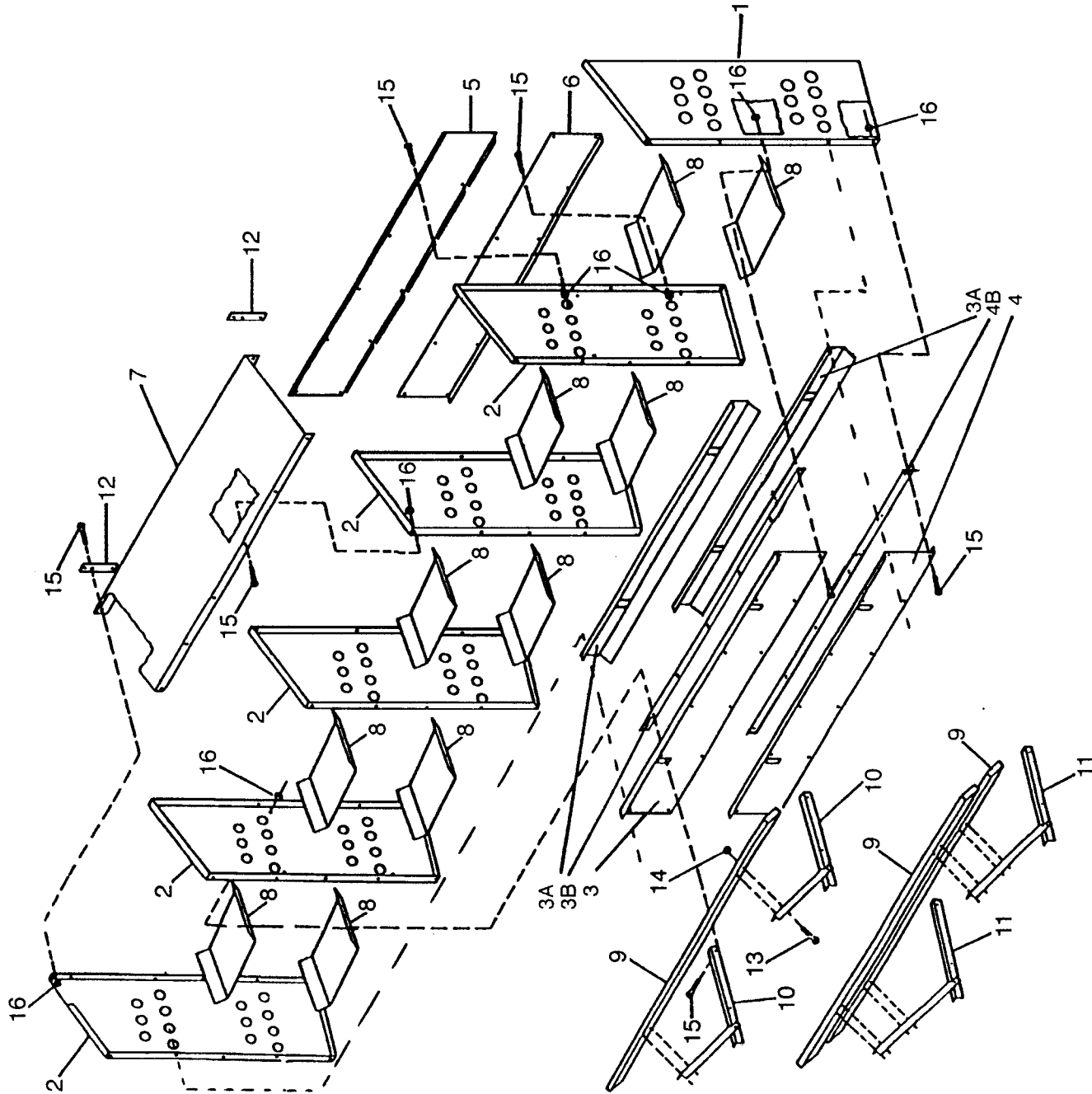
STEP 3: Attach long and short perch assemblies using 10-24 x 1/2 machine screws and 10-24 nuts (Ref. Nos. 15 and 16). Long assembly (Ref. No. 11) goes through front bottom panel and short assembly (Ref. No. 10) goes through front top panel. Hand tighten.

STEP 4: Attach the three (3) wood perches using 1/4-20 x 1 1/2 screws and 1/4-20 whiz nuts (Ref. Nos. 13 and 14). Tighten.

STEP 5: Attach hanger brackets (Ref. No. 12) to the back of both corners using 10-24 x 1/2 machine screws and 10-24 nuts (Ref. Nos. 15 and 16). Tighten all fasteners and your Brower nest is ready for use.

STEP 6: Insert Ref. No. 8 Nest Bottoms in each Non Rollout opening.

STEP 7: Trim plastic nest bottoms to fit openings under perch boards. Nest bottom should fit tight. Plastic bottom should, with some effort, slide in from the front under the perch boards.



Note: Ref. No. 12 Suspension Brackets are provided for wall mounting.