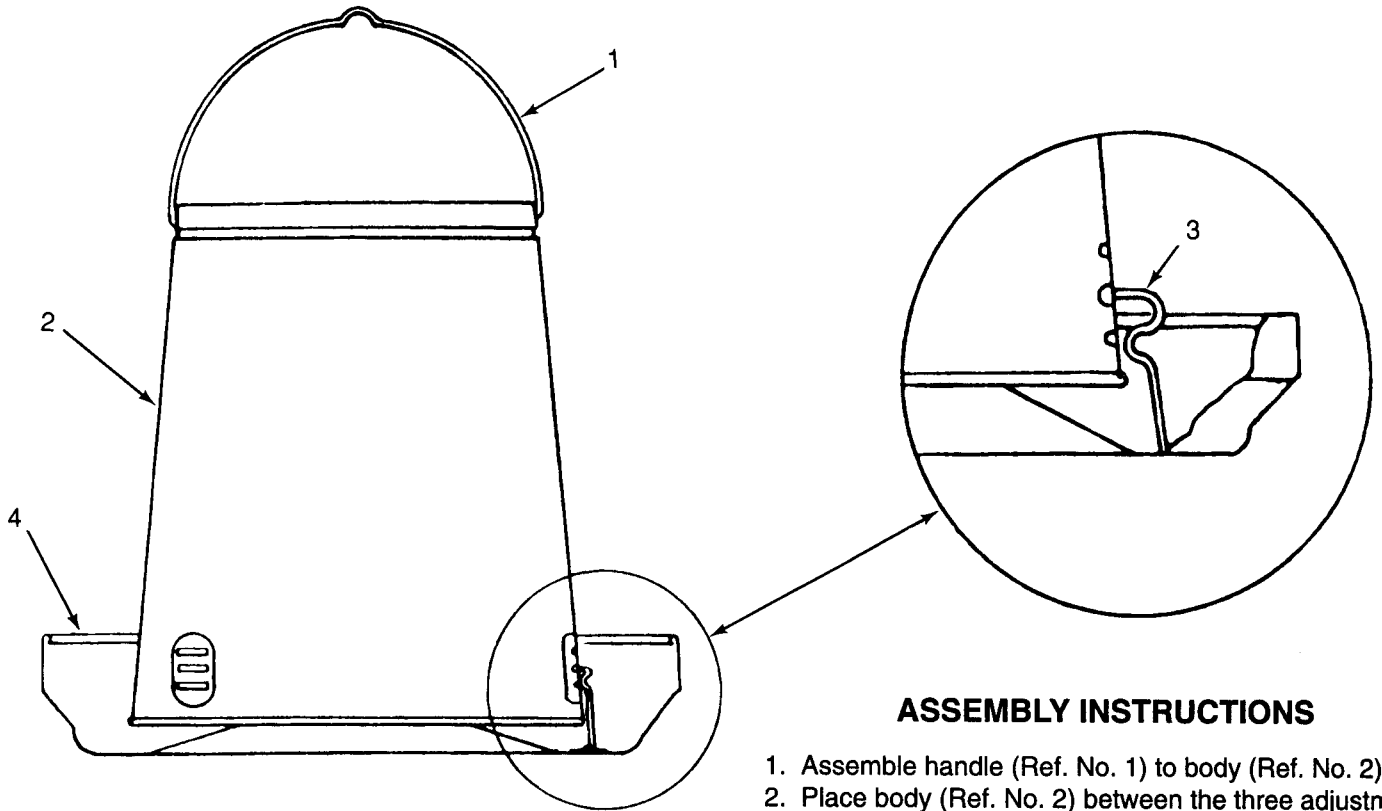


INSTRUCTIONS AND REPAIR PARTS LIST

HF30 HANGING FEEDER

REPAIR PARTS LIST

Ref. No.	Part No.	Description	Quantity
1	71751	#9 Wire Handle	1
2	13522	Body	1
3	70544	Adjustment Spring Clip	3
4	UP10A	Poly Feed Pan with Adjustment Springs	1
	ISBHF30	Instruction Sheet	1



ASSEMBLY INSTRUCTIONS

1. Assemble handle (Ref. No. 1) to body (Ref. No. 2).
2. Place body (Ref. No. 2) between the three adjustment springs (Ref. No. 3) and adjust to proper height.

MODEL NUMBER

The MODEL NUMBER is: HF30 Hanging Feeder

WHEN ORDERING PARTS

- (1) Show MODEL NUMBER and NAME: Example - HF30 Hanging Feeder
- (2) Show PART NUMBER and FULL DESCRIPTION of part: Example - 71751 #9 Wire Handle

HOW TO ORDER PARTS

Repair parts may be ordered from your dealer.